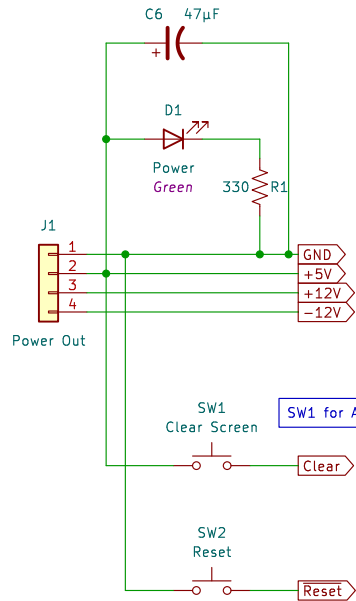


J1 can be used for powering the ASCII Keyboard Tester or Character Generator Tester.

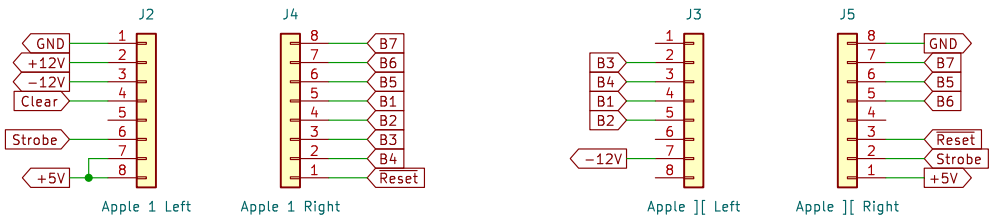
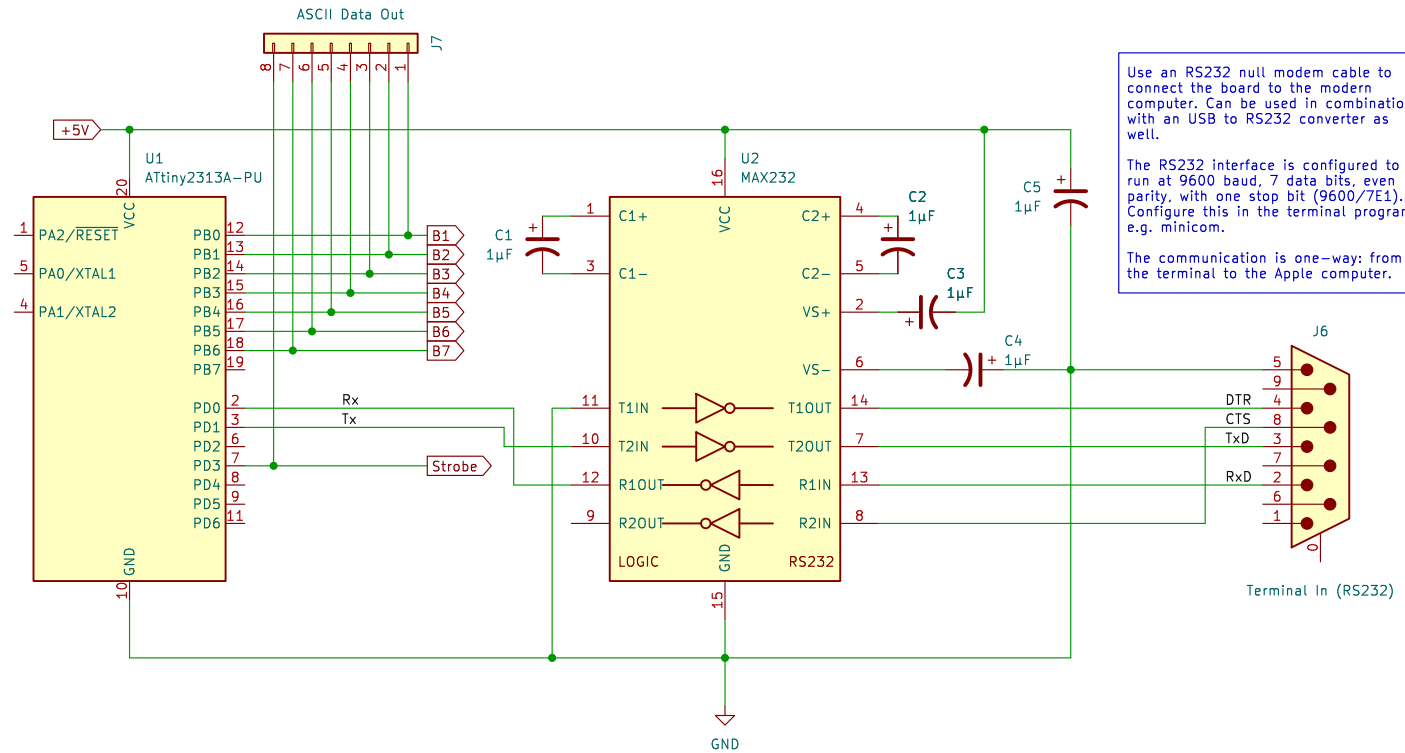


SW1 for Apple 1 only.

Use an RS232 null modem cable to connect the board to the modern computer. Can be used in combination with a USB to RS232 converter as well.

The RS232 interface is configured to run at 9600 baud, 7 data bits, even parity, with one stop bit (9600/7E1). Configure this in the terminal program, e.g. minicom.

The communication is one-way: from the terminal to the Apple computer.



These 4 rows of connection points are facing down (solder side). Use a DIP 16 male-male header to 'select' Apple-1 (J2 + J4) or Apple][(J3 + J5) usage.

Make sure electrical insulation tape is affixed on the marked area on the PCB before the board is inserted into the keyboard connector of the Apple-1 (position B4) or the Apple][(position A7).

Send keystrokes and copy-paste software to an Apple 1 or Apple][from a remote terminal through a one-way serial interface.

This work is based on the ASCII to PS/2 Keyboard Adapter of Mike Willegal. See for more information: <https://www.willegal.net/appleii/appleii-kb-int.htm>

8BitFlux.com / Bobby Nijssen	
Sheet: /	
File: KeyboardTerminalAdapter.kicad_sch	
Title: Keyboard Serial Terminal	
Size: A4	Date: 2024-05-27
KiCad E.D.A. eeschema 7.0.5-0	Rev: 1
	Id: 1/1