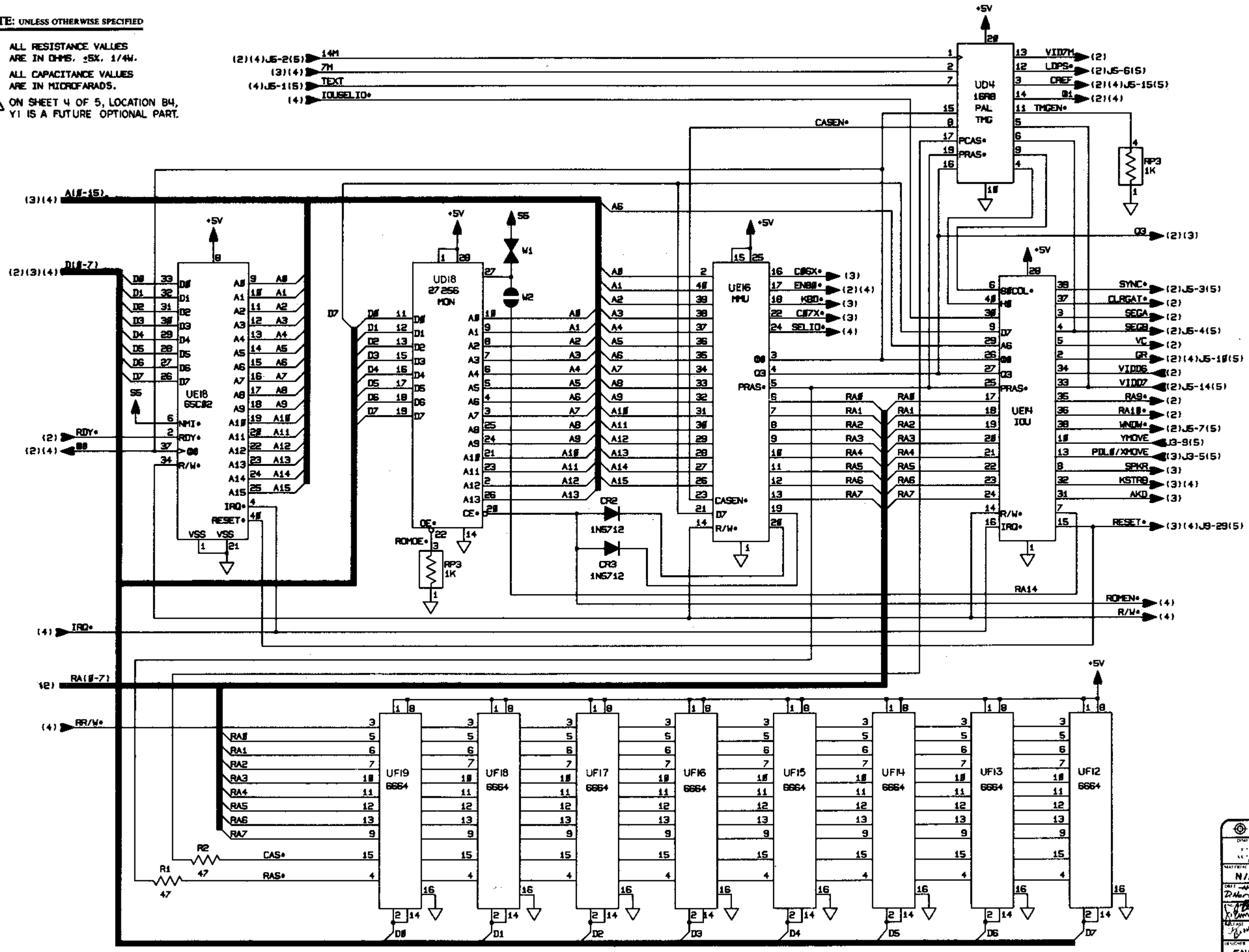


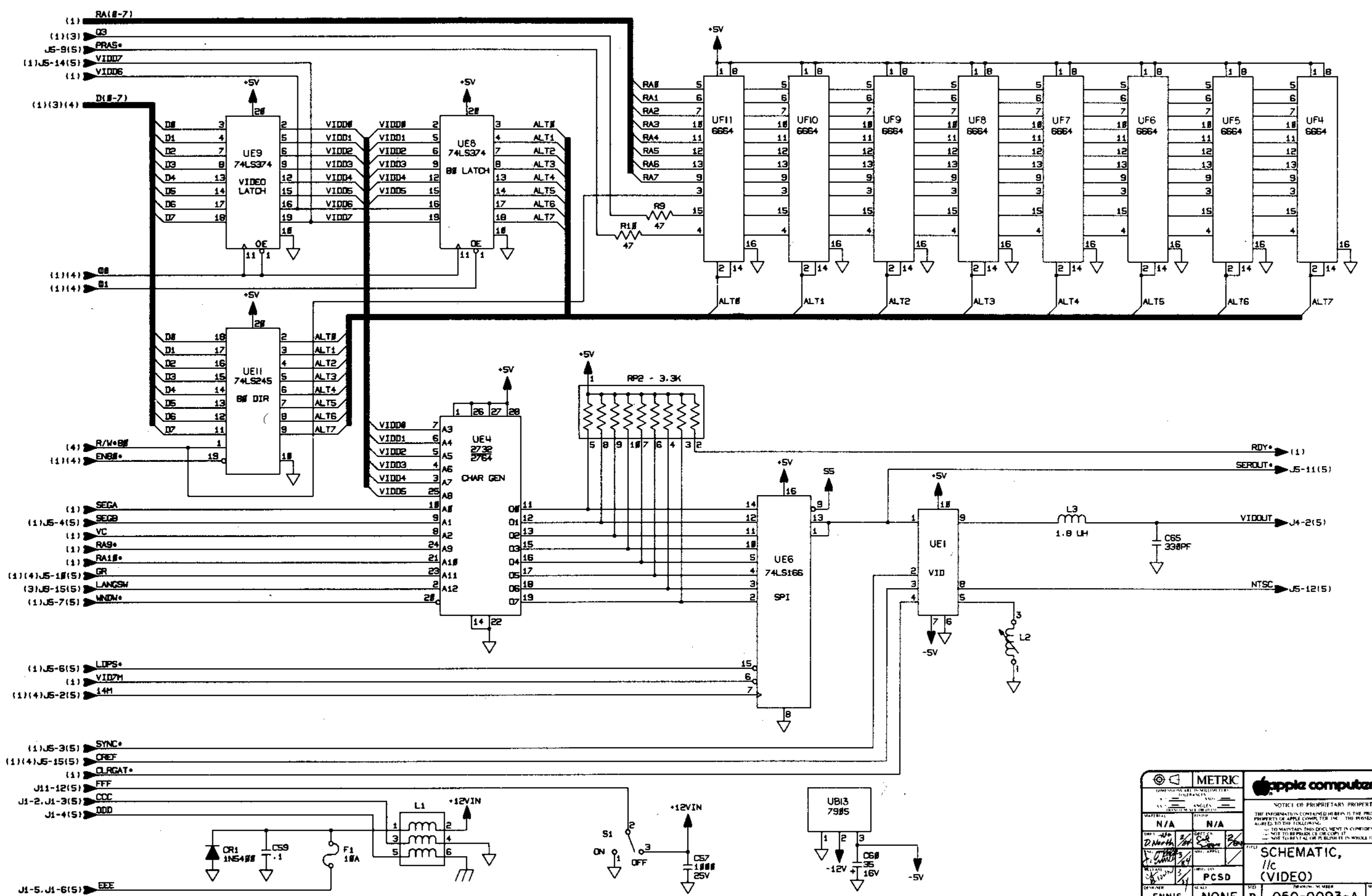
NOTE: UNLESS OTHERWISE SPECIFIED

1. ALL RESISTANCE VALUES ARE IN OHMS, 5%, 1/4W.
2. ALL CAPACITANCE VALUES ARE IN MICROFARADS.
3. ON SHEET 4 OF 5, LOCATION B4, Y1 IS A FUTURE OPTIONAL PART.

REV	ZONE	ECO #	REVISION	APPD	DATE
A		A967	INITIAL RELEASE		
A	B3	U22 DOC	CORRECTED IC REFERENCE DESIGNATIONS FROM NUMERICAL TO GRID SYSTEM. SHEET 4: CORRECTED PIN CONFIGURATION OF U4 TO MATCH FUNCTION OF IC		



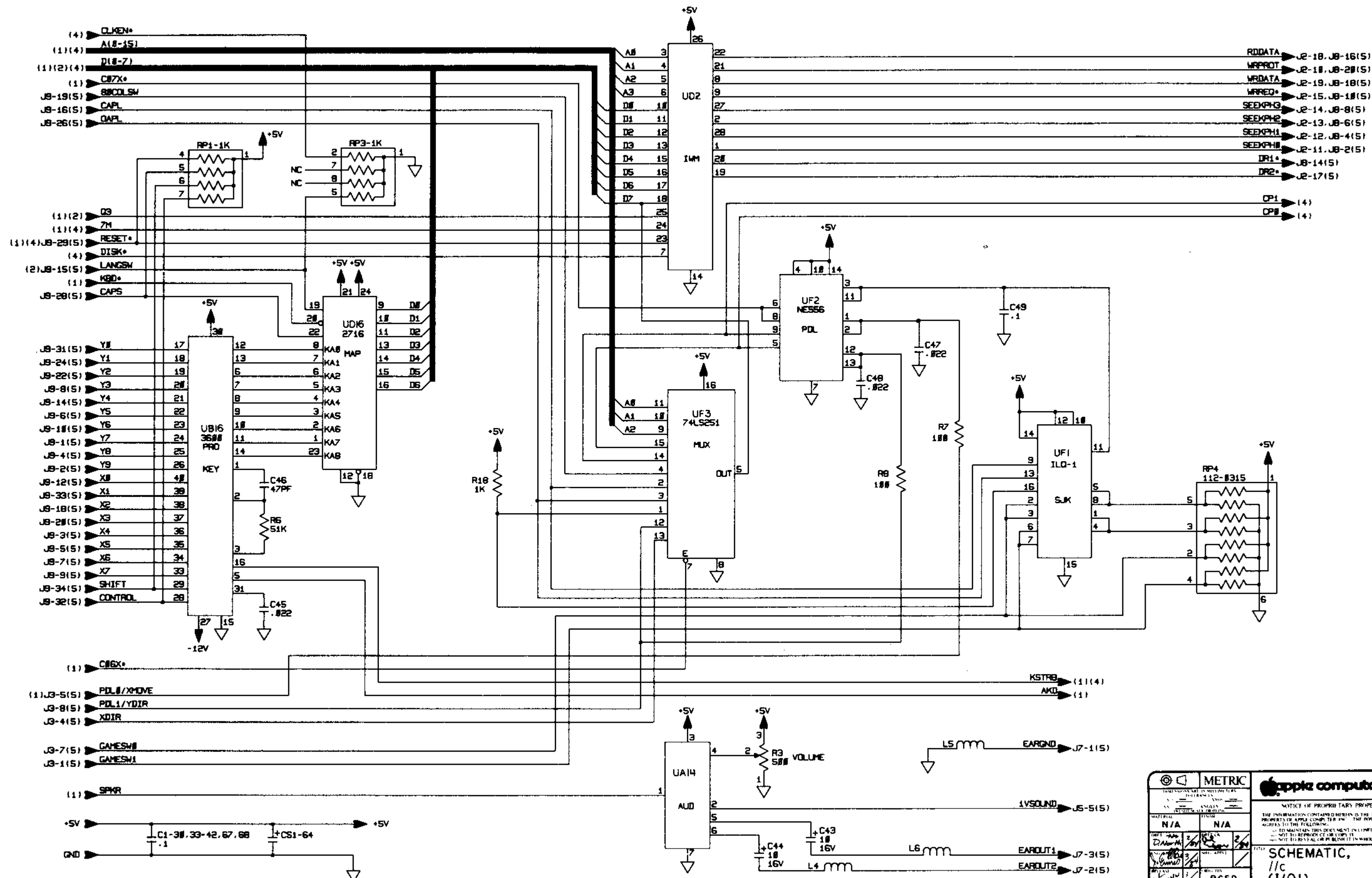
<p>NOTICE OF PROPRIETARY PROPERTY THE INFORMATION CONTAINED HEREIN IS THE PROPRIETARY PROPERTY OF APPLE COMPUTER, INC. THE RECIPIENT AGREES TO MAINTAIN THIS DOCUMENT IN CONFIDENCE AND NOT TO REPRODUCE OR COPY IT, OR NOT TO REVEAL OR PUBLISH IT IN WHOLE OR PART.</p>			
<p>DATE: 2/24/81 BY: [Signature]</p>		<p>DATE: 2/24/81 BY: [Signature]</p>	
<p>DESIGNER: ENNIS</p>		<p>SCALE: NONE</p>	
<p>TITLE: SCHEMATIC, 1/c (CPU)</p>		<p>DRAWING NUMBER: 050-0093-A</p>	
<p>SHEET: 1/5</p>		<p>DATE: 1/81</p>	



- (1) RA(8-7)
- (1)(3) D3
- J5-9(5) PRAS*
- (1) J5-14(5) VIDD7
- (1) VIDD6
- (1)(3)(4) D(8-7)
- (1)(4) D0
- (1)(4) D1
- (1)(4) D2
- (1)(4) D3
- (1)(4) D4
- (1)(4) D5
- (1)(4) D6
- (1)(4) D7
- (4) R/W*8B
- (1)(4) ENB*
- (1) SEGA
- (1) J5-4(5) SEGB
- (1) VC
- (1) RAS*
- (1) RA1*
- (1) J5-18(5) GR
- (3) J5-15(5) LANGSW
- (1) J5-7(5) MND*
- (1) J5-6(5) LIPS*
- (1) VID7M
- (1)(4) J5-2(5) 14M
- (1) J5-3(5) SYNC*
- (1)(4) J5-15(5) CREF
- (1) CLR CAT*
- J11-12(5) FFF
- J1-2, J1-3(5) CCC
- J1-4(5) DDD
- J1-5, J1-6(5) EEE

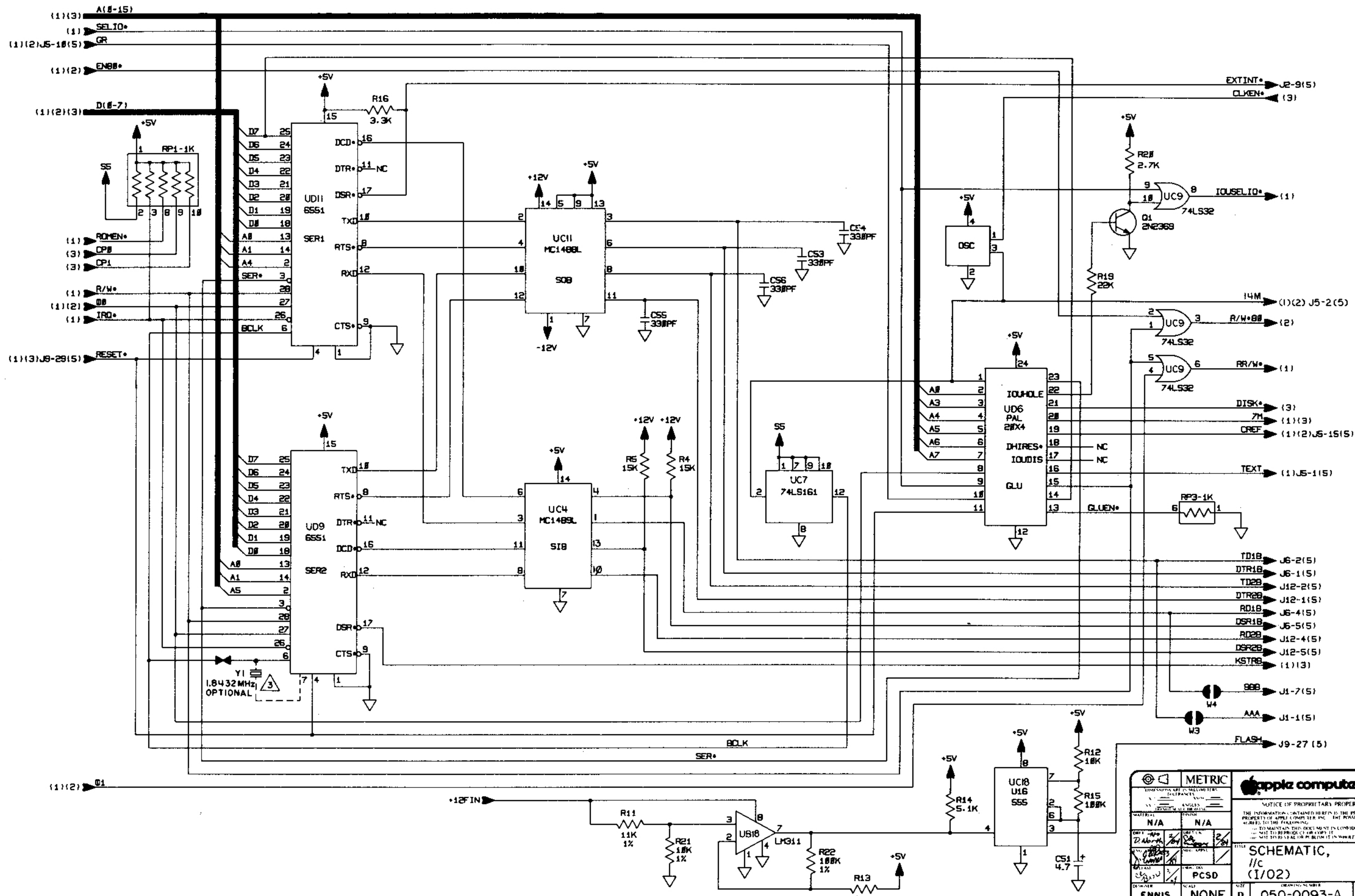
COMPASSIONATE IN MILLIMETERS TOLERANCES: ANGLES:		NOTICE OF PROPRIETARY PROPERTY THE INFORMATION CONTAINED HEREIN IS THE PROPRIETARY PROPERTY OF APPLE COMPUTER, INC. THE REPRODUCER AGREES TO THE FOLLOWING: TO MAINTAIN THIS DOCUMENT IN CONFIDENCE NOT TO REPRODUCE OR COPY IT NOT TO RETAIL OR BLOW IT IN WHOLE OR PART	
MATERIAL	N/A	FILE	SCHMATIC, 1/c (VIDEO)
DATE	1/24/80	DESIGNER	PCSD
BY	ENNIS	TRANSM. NUMBER	050-0093-A
REV	NONE	REV	2/5

050-0093-A 2/5

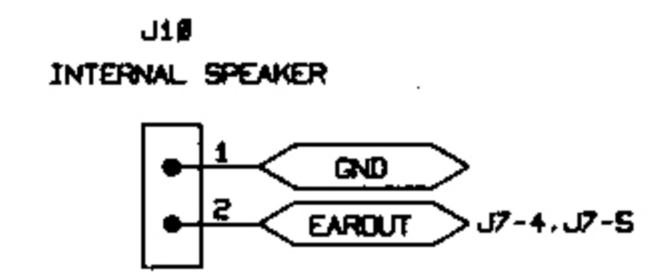
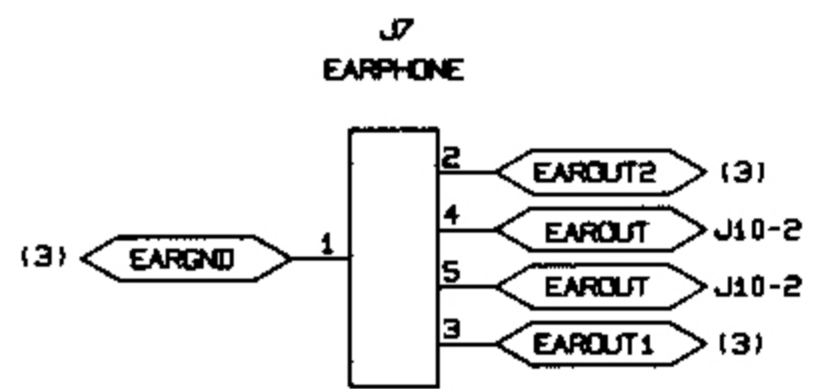
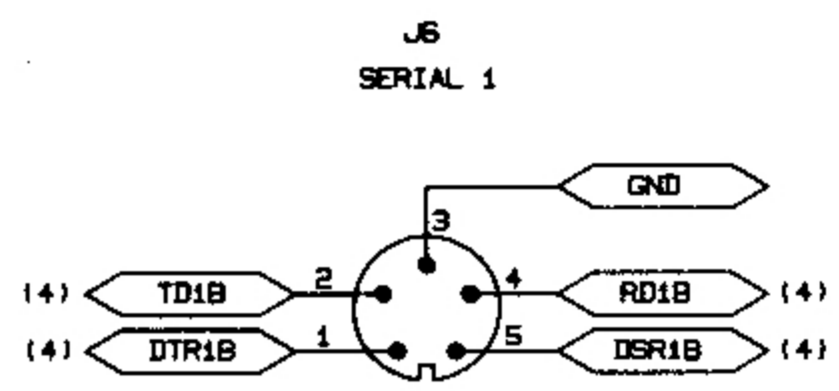
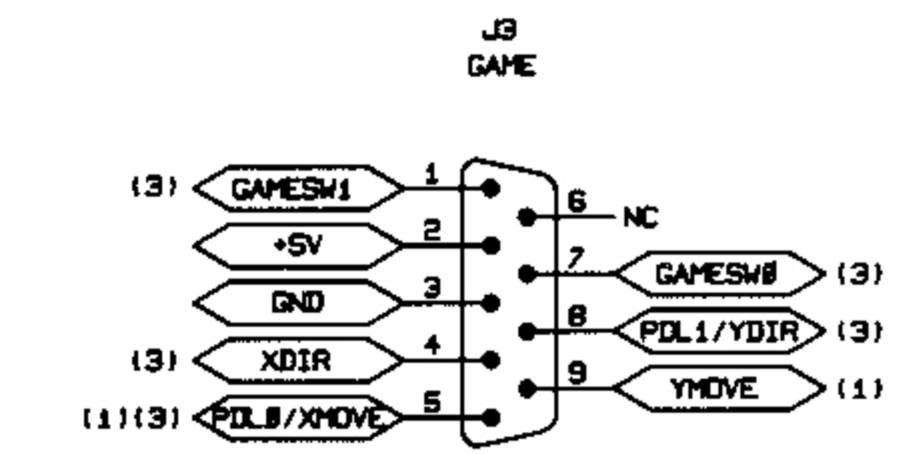
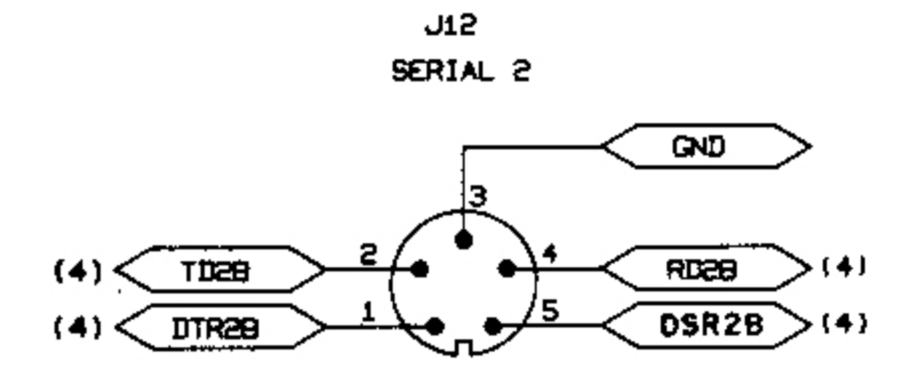
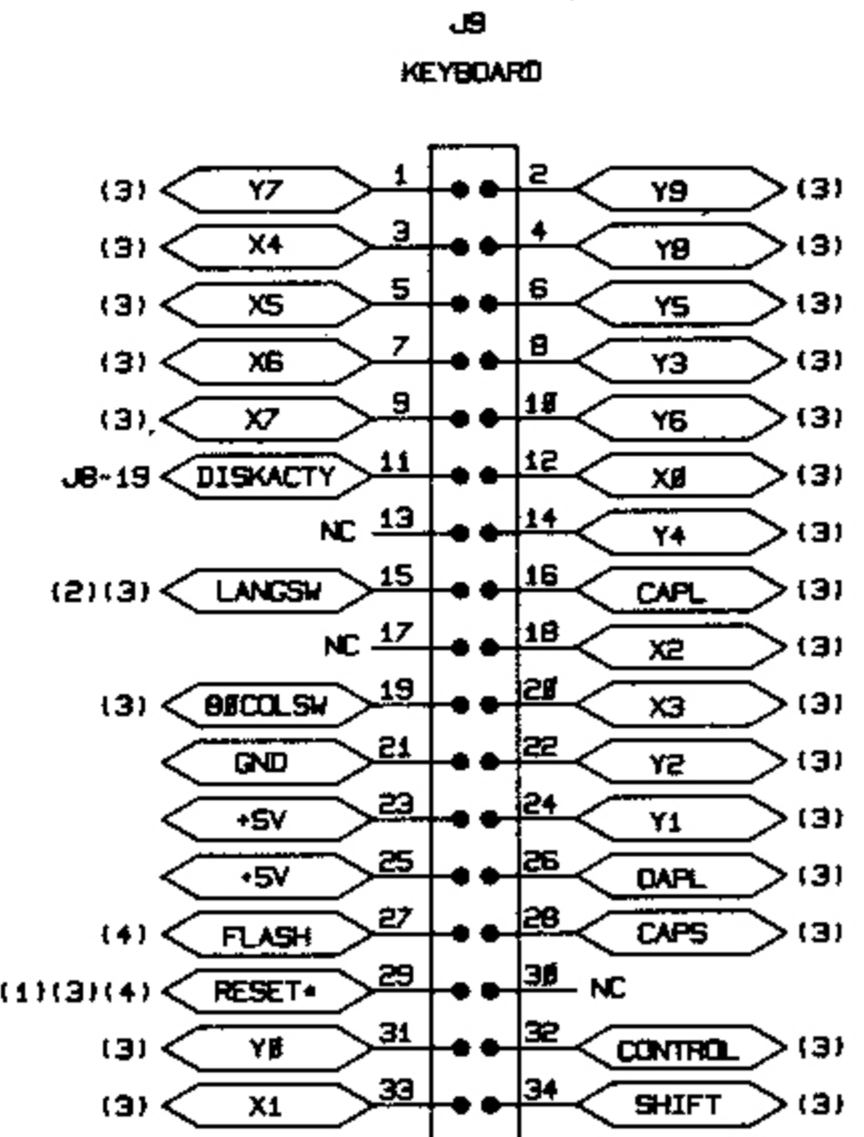
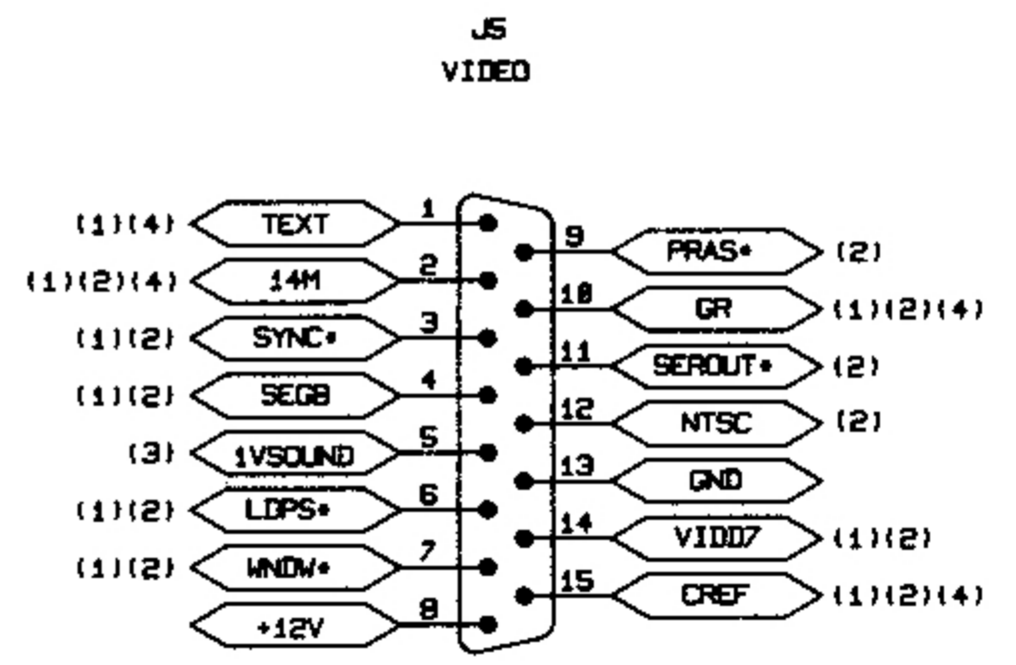
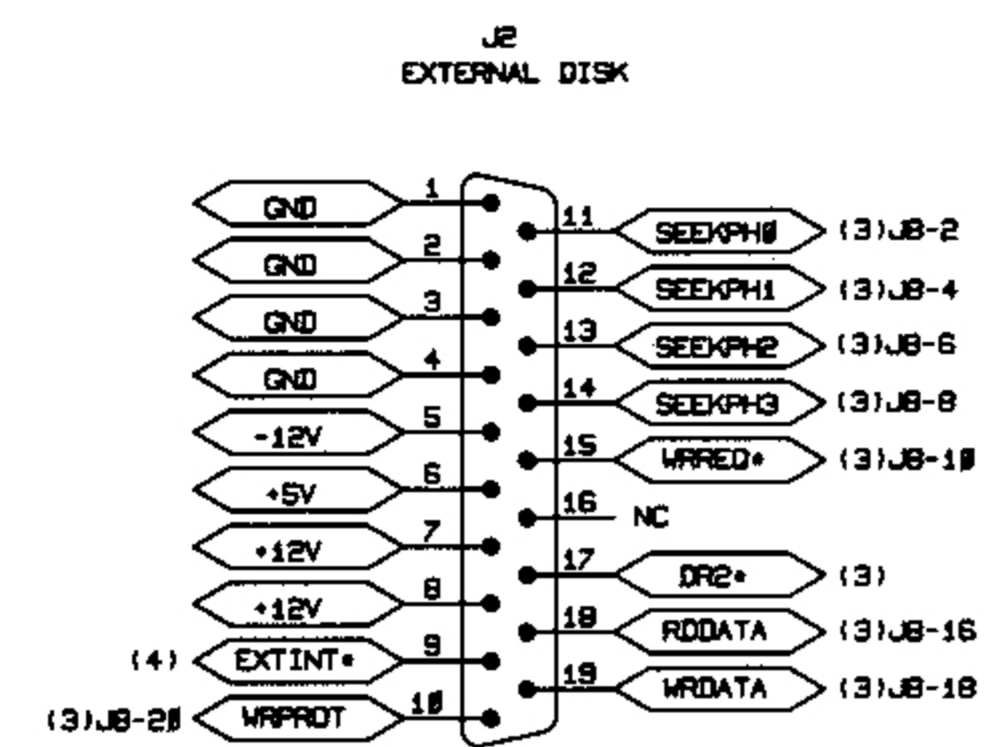
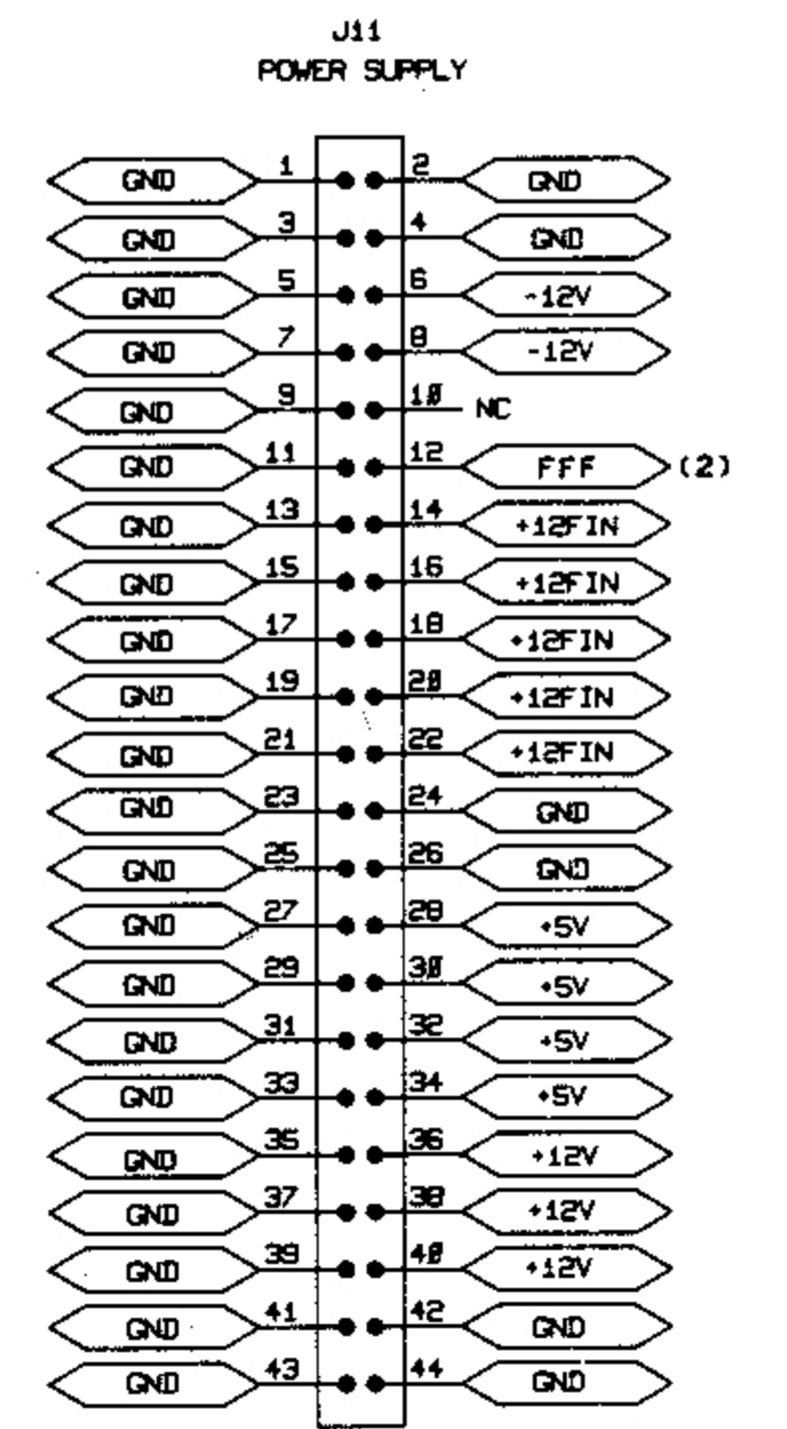
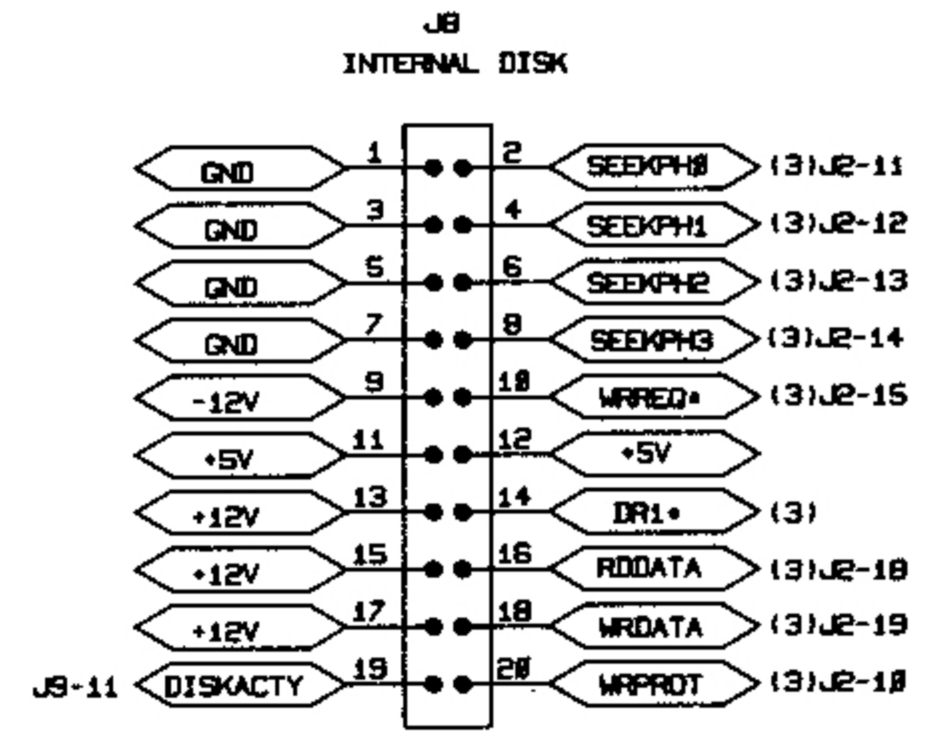
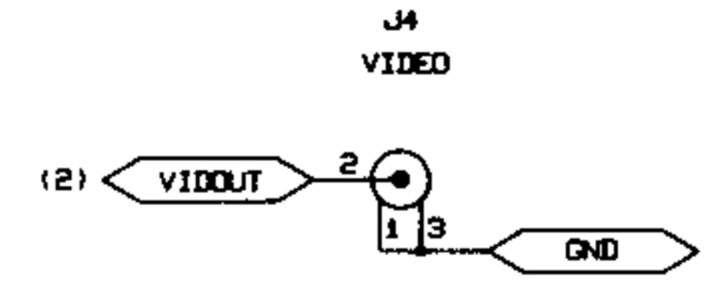
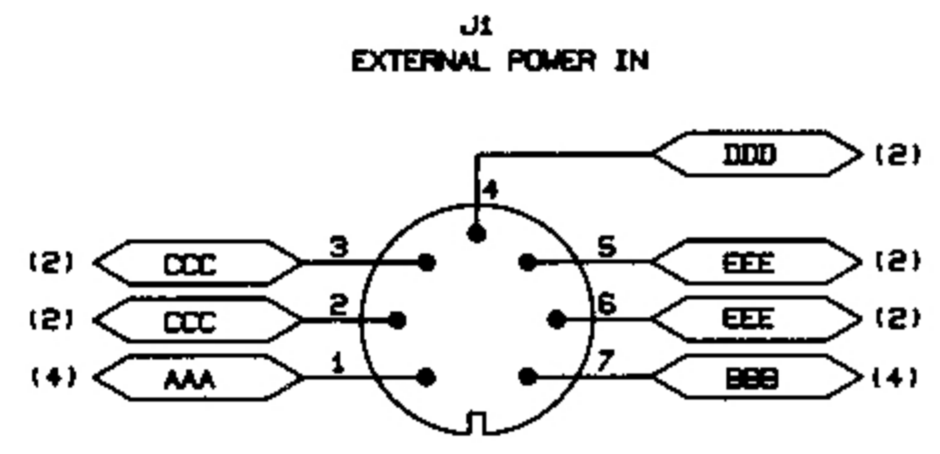


MATERIAL: N/A PART: D18-15 DATE: 1/17/81 BY: [Signature]		NOTICE OF PROPRIETARY PROPERTY THE INFORMATION CONTAINED HEREIN IS THE PROPRIETARY PROPERTY OF APPLE COMPUTER, INC. THE REPRODUCER AGREES TO THE FOLLOWING: 1. TO MAINTAIN THIS DOCUMENT IN CONFIDENTIALITY 2. NOT TO REPRODUCE OR TRANSMIT IN ANY MANNER OR BY ANY MEANS 3. NOT TO DISCLOSE OR BLENCH IT IN WHOLE OR PART	
TITLE: SCHEMATIC, 1/c (1/01)		DRAWING NUMBER: 050-0093-A	
ENNIS	NONE	D	3/5

050-0093-A 3/5



METRIC <small>DIMENSIONS ARE IN MILLIMETERS (IN PARENTHESES)</small> <small>UNLESS OTHERWISE SPECIFIED</small>	Apple Computer Inc.	
	<small>NOTICE OF PROPRIETARY PROPERTY</small> <small>THE INFORMATION CONTAINED HEREIN IS THE PROPRIETARY PROPERTY OF APPLE COMPUTER, INC. THE REPRODUCER AGREES TO REPRODUCE IT ONLY FOR THE PERSONS AND FOR THE PURPOSES SPECIFIED IN THE FOLLOWING:</small> <small>TO MAINTAIN THE OBJECT IN LOW COST</small> <small>NOT TO REPRODUCE IT FOR ANY OTHER PURPOSE</small> <small>NOT TO REPRODUCE IT IN ANY MANNER OR PART</small>	
<small>TITLE</small> SCHEMATIC, I/C (I/02)	<small>SCALE</small> NONE	<small>DATE</small> PCSD
<small>DESIGNER</small> ENNIS	<small>SIZE</small> D	<small>CREATING NUMBER</small> 050-0093-A
<small>DATE</small> 1/27/81		<small>REV. NO.</small> 4/5



MATERIAL: N/A FINISH: N/A		NOTICE OF PROPRIETARY PROPERTY THE INFORMATION CONTAINED HEREIN IS THE PROPRIETARY PROPERTY OF APPLE COMPUTER, INC. THE POSSESSION, REPRODUCTION, OR DISSEMINATION OF THIS DOCUMENT IS STRICTLY PROHIBITED WITHOUT THE WRITTEN PERMISSION OF APPLE COMPUTER, INC.	
TITLE: SCHEMATIC, IIC (CONNECTORS)		DRAWING NUMBER: 050-0093-A	
ENNIS		SCALE: NONE	
SIZE: D		SHEET: 5/5	

050-0093-A 5/5